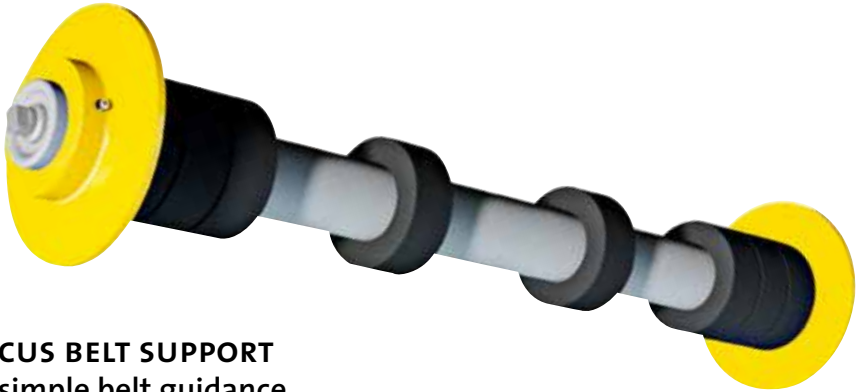


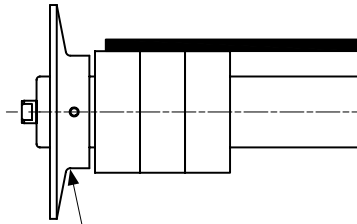
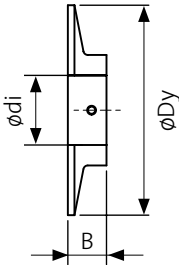
DISCUS BELT SUPPORT 3463-3499



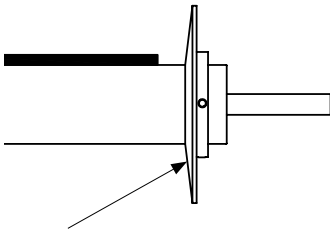
DISCUS BELT SUPPORT – A simple belt guidance.

The Diskus belt support is a side guide disc of polyurethane which is pressed onto a return roller and is locked into place with a set screw.

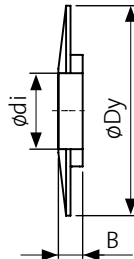
The Diskus reduces the risk that the belt cuts into the framework.



Art.no. 3463/ 3464



Art.no. 3476/ 3489/ 3498/ 3499



ART.NO.	$\varnothing DI$	$\varnothing DY$	B
3463	63	190	35
3464	63	250	55
3476	76	190	25
3489	89	200	25
3498	108	215	28
3499	133	250	32