

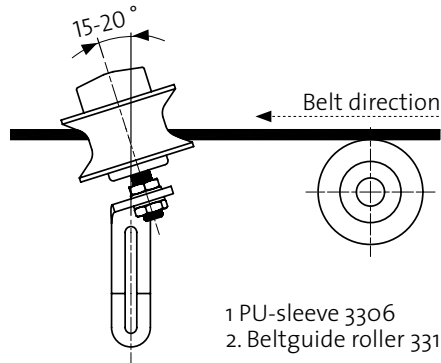
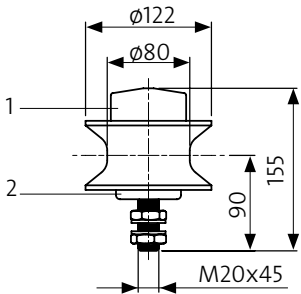
PU BELT GUIDE ROLLER 3302

PU BELT GUIDE ROLLER IN DURABLE POLYURETHANE – An extremely effective and popular belt guide.

A robust steel roller with superior ball bearings and a fitted sleeve made of durable polyurethane, providing gentle support for the conveyor belt.



Fastening bracket for PU belt guide roller.
Right 3303 & Left 3304 can be ordered separately.



1 PU-sleeve 3306
2. Beltguide roller 3316

MORE BELT GUIDE ROLLERS



3316

$\varnothing 63 \times 100/145$
 $M20 \times 45$



3320

$\varnothing 76 \times 130/180$
 $M20 \times 45$



3325

$\varnothing 76/90 \times 130/180$
 $M20 \times 45$ with PU-sleeve 3310
3310 PU sleeve sep. $\varnothing 90/76 \times 130$