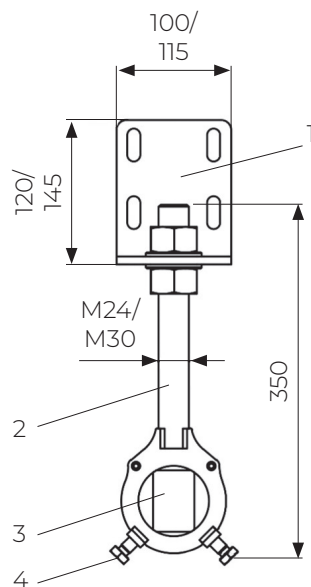


HOLDER CS 2780 / 2781



1. TRP mounting bracket with slotted holes
2. Holder with M24/M30 threaded rod
3. Adapter for 40 × 60 mm beam
4. Stop screw for beam locking

Holder CS for Flexus 2 and Chevron Scraper

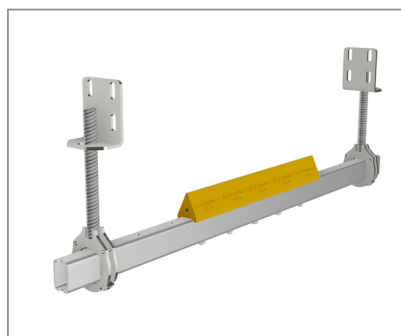
– A stable and easy-to-use mounting solution for beams 40 × 60 mm.

These holders are designed for mounting the Chevron Scraper and Flexus 2 on the conveyor. The holder's flexible design allows quick and precise height adjustment of the scraper. By loosening the stop screws, the scraper can also be rotated, enabling fine and accurate adjustment against the conveyor belt.

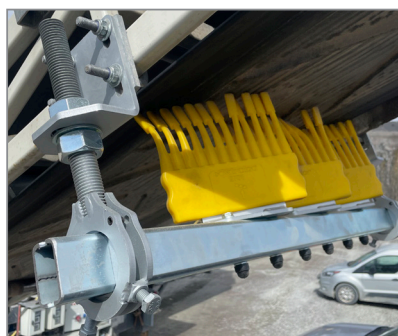
The Holder CS mounting bracket features slotted holes for increased installation flexibility and supports multiple fastening options, such as U-bolts.

Models 2780 and 2781 are supplied as pairs:

- Model 2780 is suitable for scrapers with belt widths of 400–1000 mm and is equipped with an M24 threaded rod.
- Model 2781 is designed for scrapers with belt widths of 1200–1800 mm and is equipped with an M30 threaded rod.



Flexus 2 9750.



Chevron scraper 2700.



Holder CS is sold in pairs.