

- |                           |           |
|---------------------------|-----------|
| 1. Chevron segment        | 2701      |
| 2. Beam, full length 2,9m | 9772      |
| 3. Holder CS/ CS HD       | 2780/2781 |

Picture 1

## ASSEMBLY INSTRUCTIONS Chevron Belt Cleaner 2700

Chevron Belt Cleaner 2700 is a belt scraper for chevron belts. The segments themselves can be exchanged without using any tools.

### CONDITIONS FOR PRODUCT INSTALLATION

- The product suites chevron belts, with a recommended maximum height of 32 mm.
- The carriers/cleats must have good adhesion to the belt.
- The product is not intended for reversible operations.
- Maximum belt speed: 2.3 m/s
- Maximum temperature: +50°C in wet environments (ambient temperature + friction heat)
- Maximum temperature: +85°C in dry environments (ambient temperature + friction heat)

#### WARNING!

**Lock out and tag out!** Always turn off the conveyor belt before maintaining, adjusting or installing the product to make sure that the belt cannot start while the work is in progress.

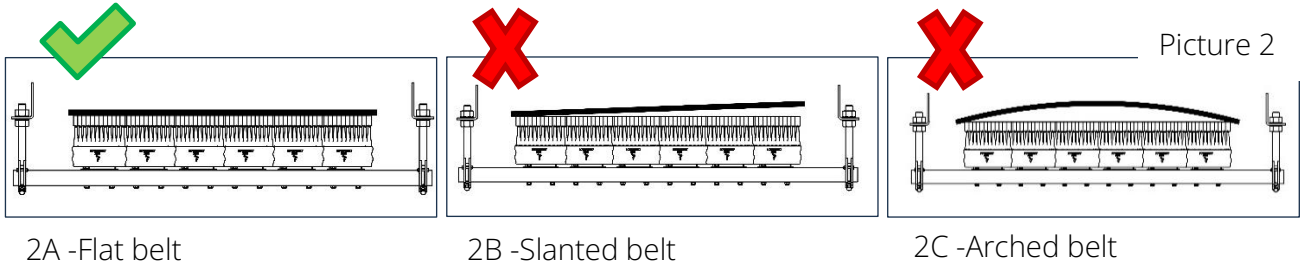
### WARRANTY

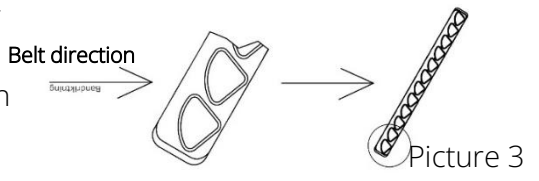
For this product, except for the scraper blade, a 24-month warranty from the date of purchase applies. For questions or complaints, please contact Vendigo's customer service.

Note: Damage to the scraper caused by improper use or incorrect installation cannot be considered under warranty. Vendigo is also not responsible for any consequences or damage to other equipment or personal injury due to improper use or incorrect installation. The product warranty for Vendigo's products covers manufacturing defects.

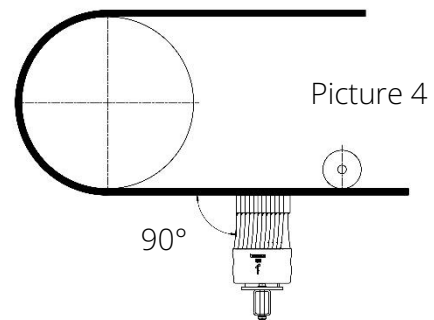
## INSTALLATION

1. **Safety First:** Turn off the conveyor, disconnect and lock out the power to ensure safety.
2. **Positioning:** Place the scraper on the underside of the return side where the belt is flat (see picture 2A). This may require removing a return roller to install the scraper. Install the holders (3) in the conveyor frame perpendicular to the belt.



3. **Centering:** Thread the beam in the holders and center the scraper over the width of the conveyor belt. The rounded side of the fingers shall face the belt direction (picture 3). Lock the scraper laterally with the lock screws on each holder.
 

Picture 3
4. **Straight up positioning;** Seen from the side, the belt cleaner shall be perpendicular to the direction of the belt (see picture 4) and the flat tops of the fingers are to touch the belt (the belt shall not be skewed as in image 2B or 2C). If needed, raise the scraper using the nuts in the holders so that the fingers in the segments just touch the belt. The fingers should not bend from the belt compression.
5. **Adjusting the width:** If necessary, cut the beam's (2) protrusion to the appropriate length at both ends.



The segments are held in the beam without screws, but if you want to secure them further, you can drive a screw through the segment. See the hole placement in picture 5.

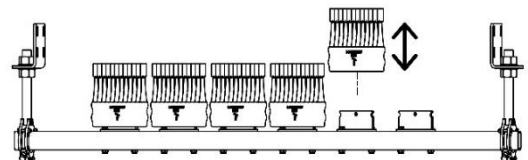


## ADJUST THE SETTINGS

1. **Start the Conveyor Belt:** Once assembled according to instructions, turn on the conveyor belt.
2. **Identify and Eliminate Vibrations:** Vibrations can occur when the belt runs without material or when it has a coating, such as resin. Vibrations must be eliminated.

## MAINTENANCE

- **Regular Inspection:** Inspect and clean twice a month.
- **Segment Replacement:** Replace segments (1) when worn or fingers are missing. Picture 6
- **Immediate Adjustments:** Adjust the settings immediately if noise or vibrations occur.



## REPLACING THE SCRAPER BLADES

Replace the scraper segments (3) by pulling them upwards, see picture 6.