

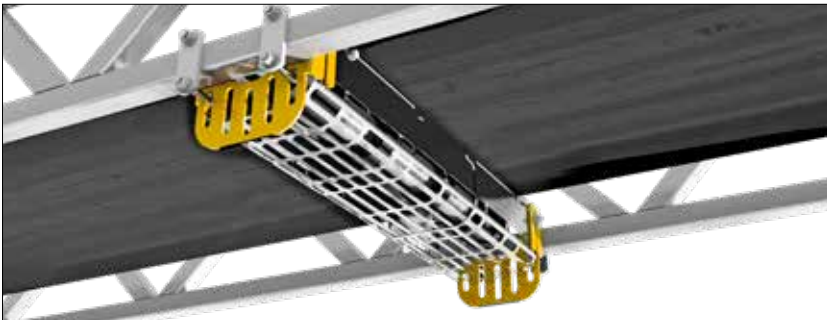
RETURN IDLER SAFE GUARD 3600

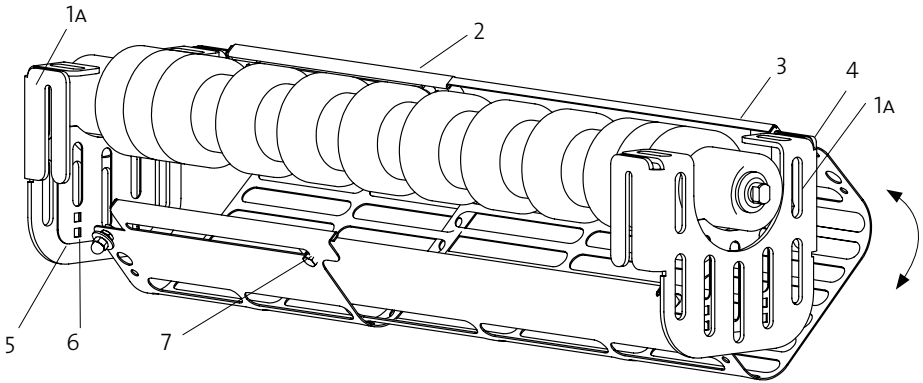


A CE MARKED RETURN IDLER SAFEGUARD – For most common return idlers.

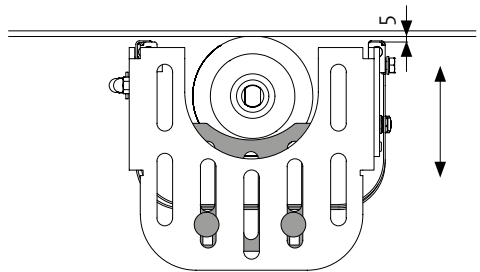
A simple and easily assembled safeguard that is adjustable to fit a big range of conveyors and return idler lengths. It can be used for return idlers with a maximum diameter of 133mm.

The purpose of the product is to eliminate nip points on the incoming belt side, blocking access to the danger zone and nip point between the belt and an idler from all sides but it is also prevent the hazard of broken rollers falling down in case of failure due to wear or frozen bearings. It is designed to be compliant with the Machine directive 2006/42/EG , Safety equipment for belt conveyors EN 620 & EN 618 and ISO 13857. As a safety component, Vendigs return idler safeguard is CE marked. It is stable, made of galvanized steel. It comes along with the CE declaration for you to easily update your conveyor documentation.





- 1. 2 pcs 3640 End cover
- 2. 1/2 pcs 3641 Basket Side
- 3. 1 pcs Basket middle
- 4. 2 pcs 3642 Hinges
- 5. 2 pcs 3643 Cover plate, adjustable
- 6. 4 pcs Screw joint
- 7. 2 or 4 Width adjustment



Its openings are maximized according to the requirements of the norm in order for return material to fall through. When the safeguard needs to be opened, open the two screws to swing open the guard that will stay in place in the onesided hinges.

ART. NO.	B-W	LENGTH
3625	500	540 - 750
3626	650	690 - 900
3628	800 - 1000	890 - 1360
3632	1200 - 1400	1340 - 1810

