

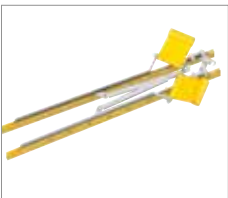
# MAXI PLOUGH Foldable 8800-VF



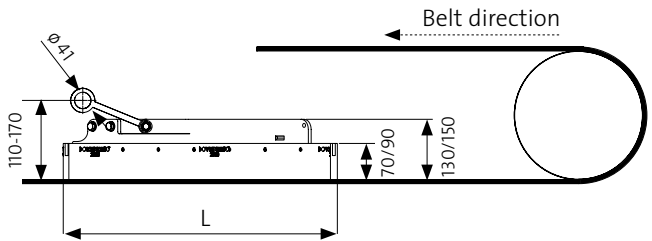
## – foldable plough, easy to handle and fit.

The Maxi plough foldable 8800-VF is a functional, foldable variant of the Maxi plough for larger belt-widths. These ploughs series are foldable which makes them easier to handle when installing them in the conveyor. Shipping costs are also lower when folded, making it an economical alternative. Ploughs prevent material on the returning belt from entering between the return pulley and the belt. This reduces the risk of wandering belts, mistracking, damage and holes developing in the conveyor belt.

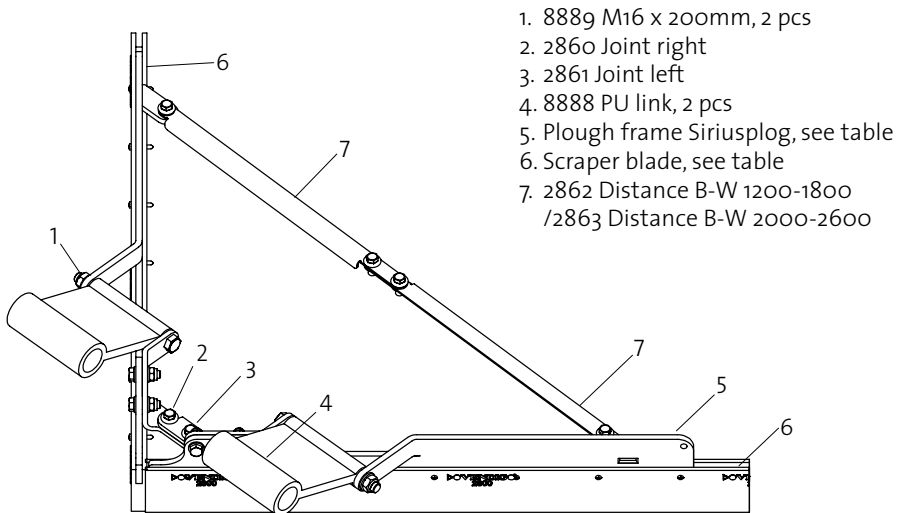
The plough are assembled with a pipe,  $\varnothing 40\text{mm}$ , fixed in the conveyor frame. The scraper blades of polyurethane are easily replaced.



A foldable Vendig plough in folded position.



Bracket 8891 and pipe 8890, accessories frame for assembling of the Maxi Ploughs and Plough HD.



### MAXI PLOUGH FOLDABLE 8800-VF

ART. NO.	B-W	WIDTH	L	ART NO. PLOUGH FRAME	ART NO. SPARE BLADE
8812-VF	1200	1330	675	2872 R/L	8832
8814-VF	1400	1530	775	2874 R/L	8834
8816-VF	1600	1725	875	2876 R/L	8836
8818-VF	1800	1920	975	2878 R/L	8838
8820-VF	2000	2120	1075	2880 R/L	8840
8821-VF	2200	2320	1170	2882 R/L	8843
8822-VF	2400	2520	1270	2884 R/L	8844
8823-VF	2600	2715	1370	2886 R/L	8846

