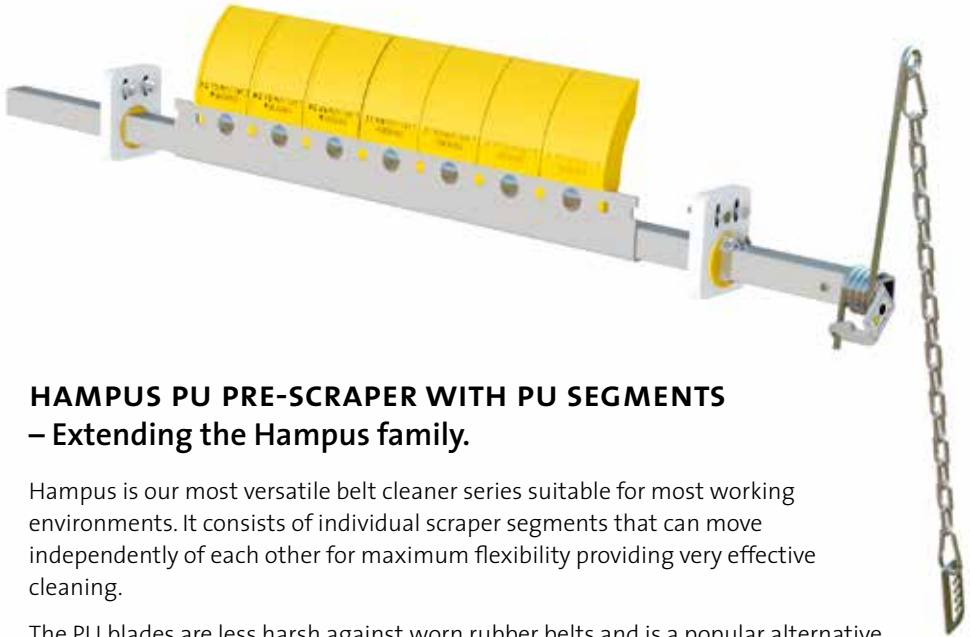


HAMPUS pre-scraper 9100-PU



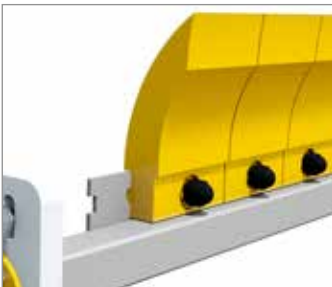
HAMPUS PU PRE-SCRAPER WITH PU SEGMENTS – Extending the Hampus family.

Hampus is our most versatile belt cleaner series suitable for most working environments. It consists of individual scraper segments that can move independently of each other for maximum flexibility providing very effective cleaning.

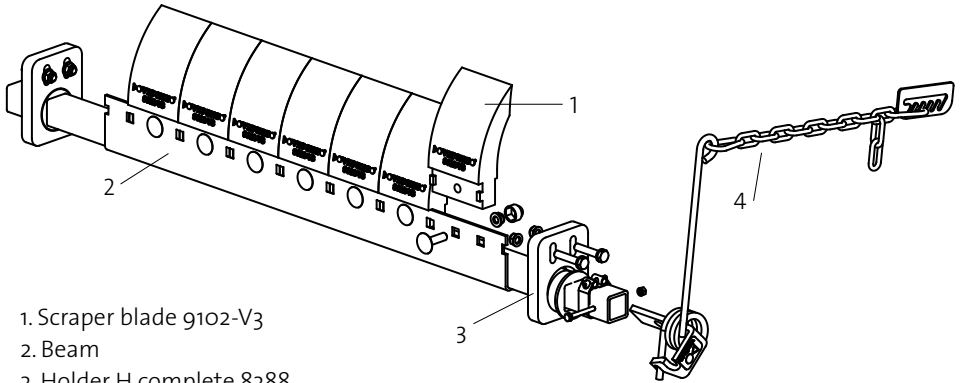
The PU blades are less harsh against worn rubber belts and is a popular alternative amongst our customers. The segments can be delivered for several different specialized operations like industries with food grade demands. It works well in reversible operations.

The blade is compatible with the Hampus frame. 9102-V3 is interchangeable with 9101, the Hampus pre-scraper standard segment.

Recommended for \varnothing 220-630 mm pulleys.



*Hampus prescraper with
PU segment.*



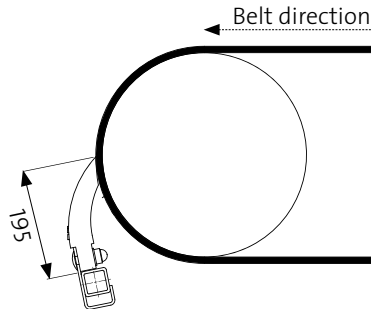
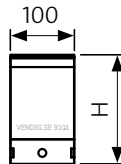
1. Scraper blade 9102-V3
2. Beam
3. Holder H complete 8388
4. Lever arm complete 9178

All steel parts are electro-galvanized as standard. Stainless steel or powder-coated alternatives are also available on request.

From B-W 1000 the scraper is supplied with dual lever arms.
 From B-W 1600 the scraper is supplied with Holder HD.

SCRAPER BLADE

Art.no. 9102-V3 H = 175



ART.NO.	B-W	QTY. SEGMENTS	SCRAPER WIDTH	BEAM LENGTH
9104-PU	400	4	400	1100
9105-PU	500	5	500	1200
9106-PU	600	6	600	1300
9108-PU	800	7	700	1500
9110-PU	1000	9	900	1700
9112-PU	1200	11	1100	1900
9114-PU	1400	13	1300	2100
9116-PU	1600	15	1500	2300
9118-PU	1800	17	1700	2500
9120-PU	2000	19	1900	2700

Wider belt cleaners can be offered on request.