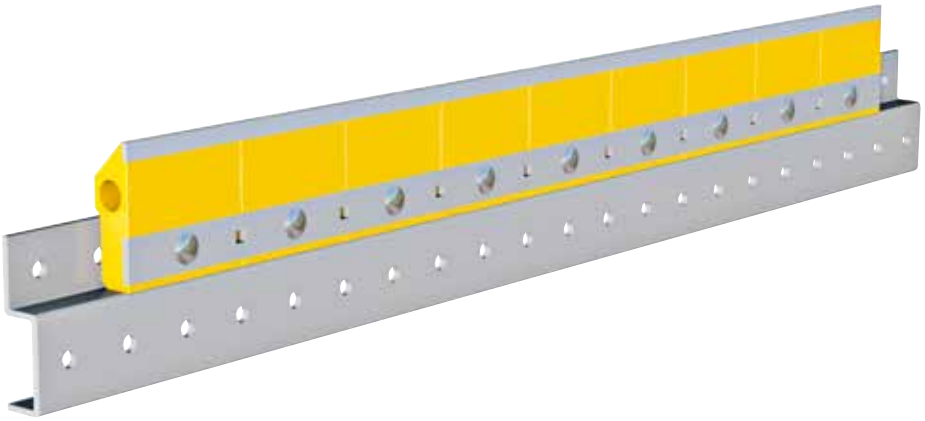


# HAMPUS SCRAPER BOARD 9300

---



## HAMPUS SCRAPER BOARD WITH CARBIDE – Scraper board with sprung scraper segment.

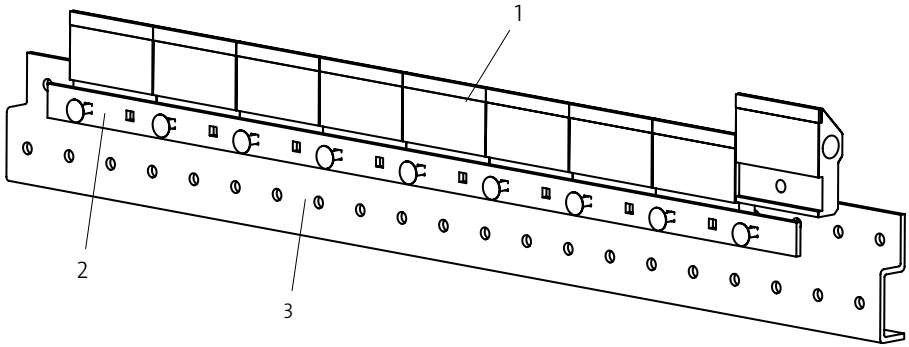
Hampus scraper board 9300 with scraper segments made of polyurethane with embedded carbide. Each segment is individually sprung against the belt, and is therefore more flexible on the belt providing a very effective cleaning effect.

The board is normally positioned on the returning belt as a replacement for a return roller.

*Assesories; either Holder SE or Holder PL together with square tube can be used to fit the scarperboard, see page 41-43.*



*As well as the standard 95 mm segment, there are also lower segments for a more compact installation.*



1. Scraper segment 9201  
Scraper segment 9202, compact
2. Mounting bracket
3. Beam

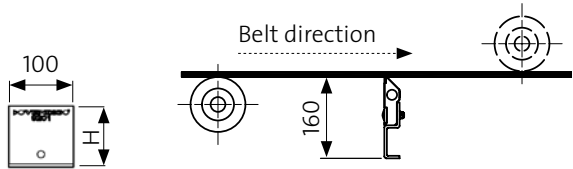
All steel parts are electro-galvanized as standard. Stainless steel or powder-coated alternatives are also available.

The scraper blade is made of PU with a carbide edge.

### SCRAPER BLADE

Art.no. 9201      H=95 (standard)

Art.no. 9202      H=70



STANDARD ART.NO.	B-W	QTY. SEGMENTS	SCRAPER WIDTH	BEAM LENGTH
9304	400	4	400	700
9305	500	5	500	800
9306	650	7	700	1000
9308	800	9	900	1200
9310	1000	11	1100	1400
9312	1200	13	1300	1600
9314	1400	15	1500	1800
9316	1600	17	1700	2000
9318	1800	19	1900	2200

*Wider belt cleaners can be offered on request.*