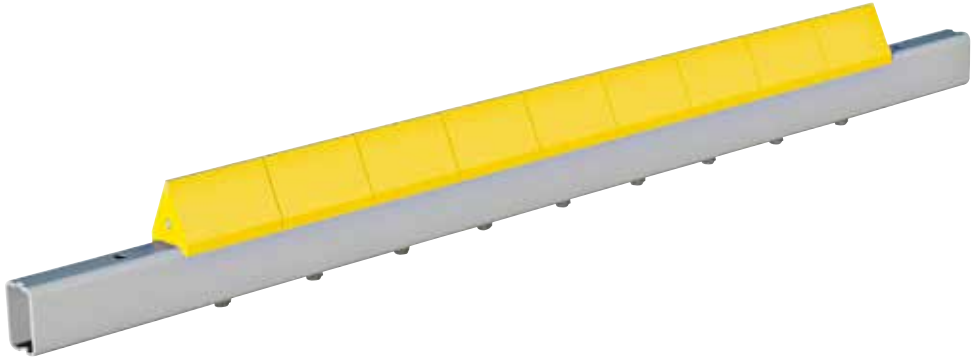


# FLEXUS 2 9750

---



## FLEXUS 2 WITH CARBIDE – A scraper board for reversible operation.

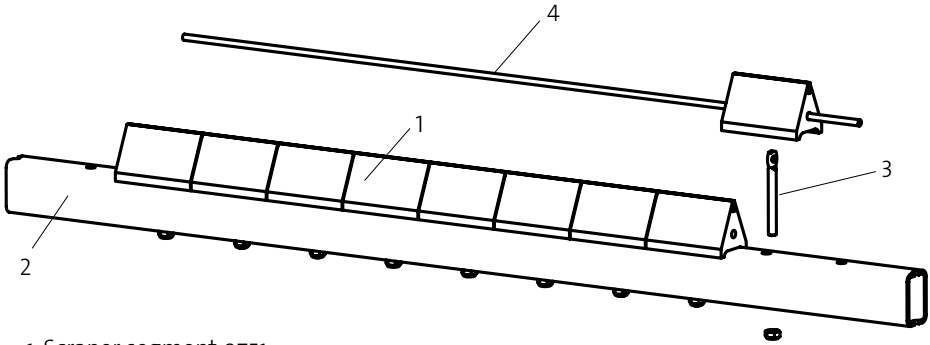
Flexus 2 9750 is a scraper board for reversible belts. The carbide blades are embedded in the individual polyurethane scraper segments. Flexus 2 shall be fitted on the underside of the return party. The scraper board is usually substituting a return roller against the returning belt.



*Adapter 9777*

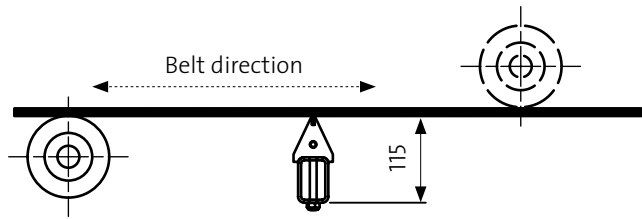


*Assesories Holder PL  
and adapter 9777  
can be used to fit  
Flexus 2, see page 42-43*



- 1. Scraper segment 9751
- 2. Beam
- 3. Pendulum 9774
- 4. Spring steel rod 9775

All steel parts are electro-galvanized as standard.  
 Stainless steel or powder-coated alternatives are available on request.  
 Carbide encased in polyurethane.



ART.NO.	B-W	QTY. SEGMENTS	SCRAPER WIDTH	BEAM LENGTH*
9754	400	4	400	700
9755	500	5	500	800
9756	650	7	700	1000
9758	800	9	900	1200
9760	1000	11	1100	1400
9762	1200	13	1300	1600
9764	1400	15	1500	1800
9766	1600	17	1700	2000
9768	1800	19	1900	2200
9769	2000	21	2100	2400

*Wider belt cleaners can be offered on request. \*Brackets for fitting is not included.*