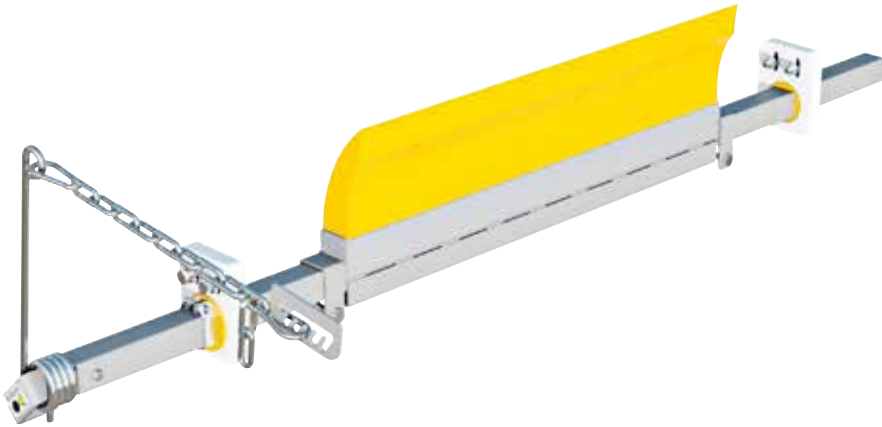


# SIRIUS pre-scraper 9900

---



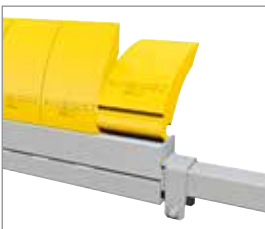
## **SIRIUS PRE-SCRAPER WITH POLYURETHANE SEGMENTS** **– Service-friendly pre-scraper in durable polyurethane.**

The Sirius pre-scraper 9900 is a belt cleaner made from durable polyurethane with individual segments mounted in a removable cassette.

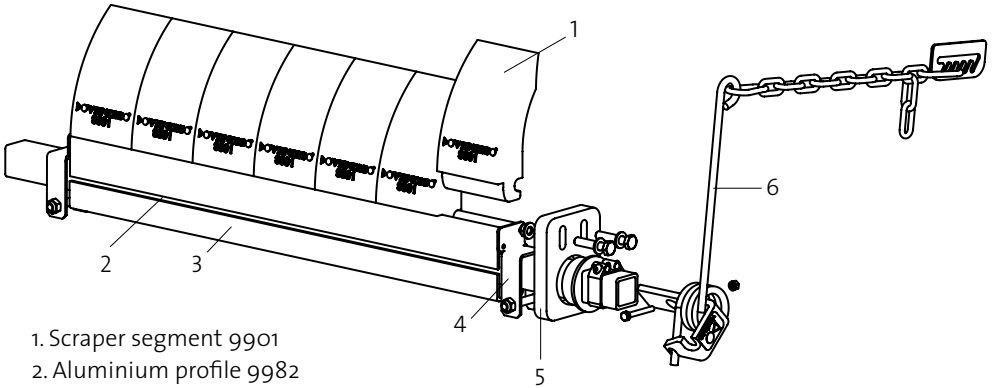
Each segment is easy to remove when it requires changing and cleaning. Either thread it out sideways or snap it into the aluminium profile. The fast-connect solution is patented: European Patent 2805901.

Vendig's unique spring lever ensures that the correct pressure is maintained against the belt which reduces maintenance and prolongs the lifespan of the scraper and the conveyor belt. The pre-scraper shall be positioned against the drive pulley immediately below the flow of material.

Recommended for  $\varnothing$  220-630 mm pulleys.



*In addition to the standard model which is 180 mm high, a lower segment for more compact installation is available. European Patent 2805901.*



- 1. Scraper segment 9901
- 2. Aluminium profile 9982
- 3. Beam
- 4. Brackets RIGHT-LEFT 9980, 9981
- 5. Holder H complete 8388
- 6. Lever arm complete 9178

All steel parts are electro-galvanized as standard. Stainless steel or powder-coated alternatives are available on request.

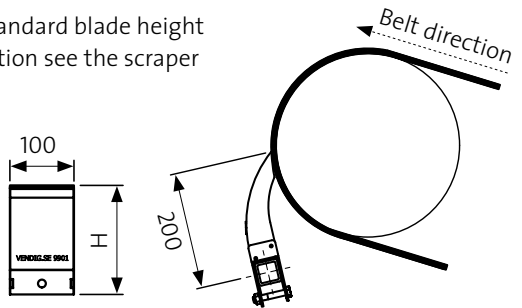
From B-W 1000 the scraper is supplied with dual lever arms.  
 From B-W 1600 the scraper is supplied with Holder HD.

The scraper blade is made of PU. The standard blade height is 180 mm. For a more compact installation see the scraper blade alternatives below.

**SCRAPER BLADE**

Art.no. 9901 H=180 (standard)

Art.no. 9901-130 H=130



STANDARD ART.NO.	B-W	QTY. SEGMENTS	SCRAPER WIDTH	BEAM LENGTH
9904	400	4	400	1100
9905	500	5	500	1200
9906	650	6	600	1300
9908	800	7	700	1500
9910	1000	9	900	1700
9912	1200	11	1100	1900
9914	1400	13	1300	2100
9916	1600	15	1500	2300

Wider belt cleaners can be offered on request.